
2 Parts and diagrams

- [HP service and support](#)
- [Assembly locations](#)
- [Order parts, accessories, and supplies](#)
- [How to use the parts lists and diagrams](#)
- [Parts and diagrams: Document feeder and scanner whole units](#)
- [Parts and diagrams: Covers and control panels](#)
- [Parts and diagrams: Internal components](#)
- [Parts and diagrams: 550-sheet paper feeder](#)
- [Alphabetical parts list](#)
- [Numerical parts list](#)

HP service and support

Learn about HP access to additional service and support information.

Additional service and support for channel partners

Channel partners, go to partner.hp.com, and then use the steps below to access the HP Web-based Interactive Search Engine (WISE).

Access WISE for Channel partners

1. Select **Services & Support**, and then select **Services Delivery**.
2. Select **Technical Support**, and then select **Technical Documentation**.

Find information about the following topics

- Service manuals
- Service advisories
- Up-to-date control panel message (CPMD) troubleshooting
- Install and configure
- Printer specifications
- Solutions for printer issues and emerging issues
- Remove and replace part instructions and videos
- Warranty and regulatory information

Additional service and support for HP internal personnel

HP internal personnel, go to one of the following Web-based Interactive Search Engine (WISE) sites:

Americas (AMS)

- <https://support.hp.com/wise/home/ams-enWISE> - English
- <https://support.hp.com/wise/home/ams-esWISE> - Spanish
- <https://support.hp.com/wise/home/ams-ptWISE> - Portuguese
- <https://support.hp.com/wise/home/ams-frWISE> - French

Asia Pacific / Japan (APJ)

- <https://support.hp.com/wise/home/apj-enWISE> - English
- <https://support.hp.com/wise/home/apj-jaWISE> - Japanese
- <https://support.hp.com/wise/home/apj-koWISE> - Korean
- <https://support.hp.com/wise/home/apj-zh-HansWISE> - Chinese (simplified)

- [https://support.hp.com/wise/home/apj-zh-HantWISE - Chinese \(traditional\)](https://support.hp.com/wise/home/apj-zh-HantWISE - Chinese (traditional))
- <https://support.hp.com/wise/home/apj-thWISE - Thai>

Europe / Middle East / Africa (EMEA)

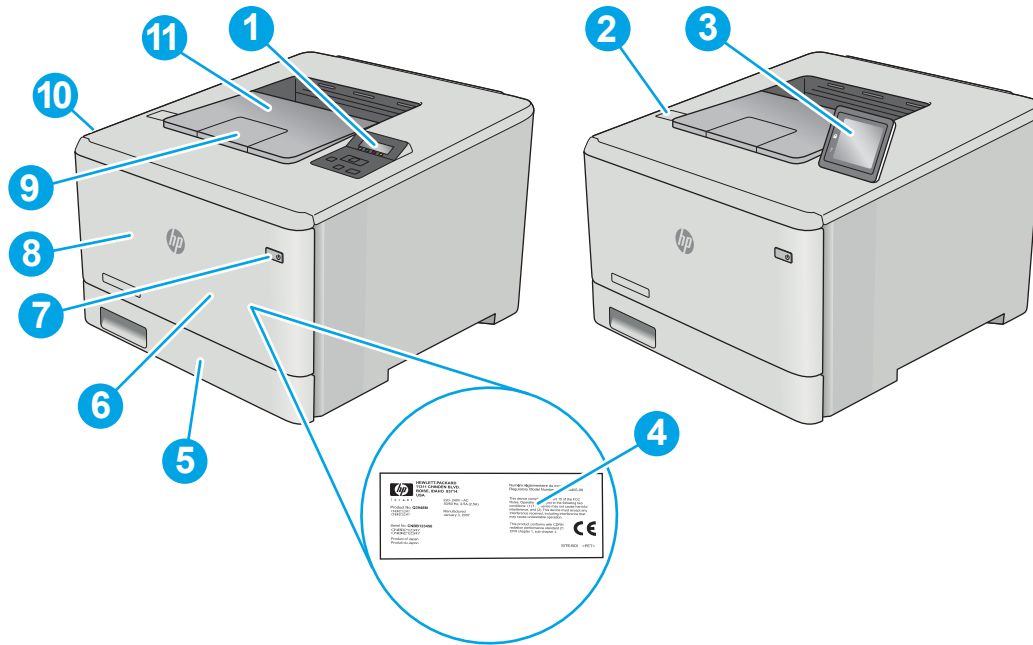
- <https://support.hp.com/wise/home/emea-enWISE - English>

Assembly locations

- [Base printer, M454](#)
- [Base printer, M479](#)
- [550-sheet paper feeder \(all models\)](#)

Base printer, M454

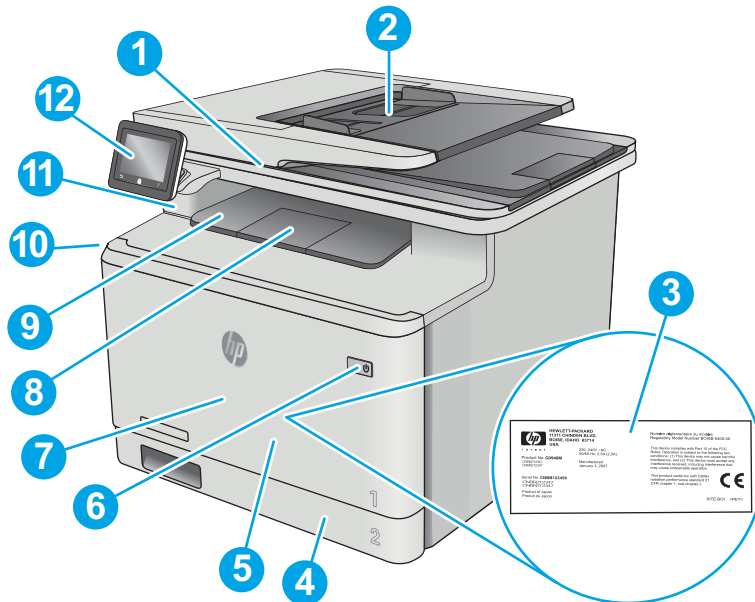
Figure 2-1 Base printer, M454



1	2-line control panel (nw and dn models)	7	Power on/off button
2	Walk-up USB port (for printing without a computer) (dw model only)	8	Front door (provides toner cartridge access)
3	Touchscreen control panel (dw model) (tilts up for easier viewing)	9	Output bin extension
4	Regulatory label (inside the front door)	10	Front door open button (on left cover)
5	Tray 2	11	Output bin
6	Tray 1		

Base printer, M479

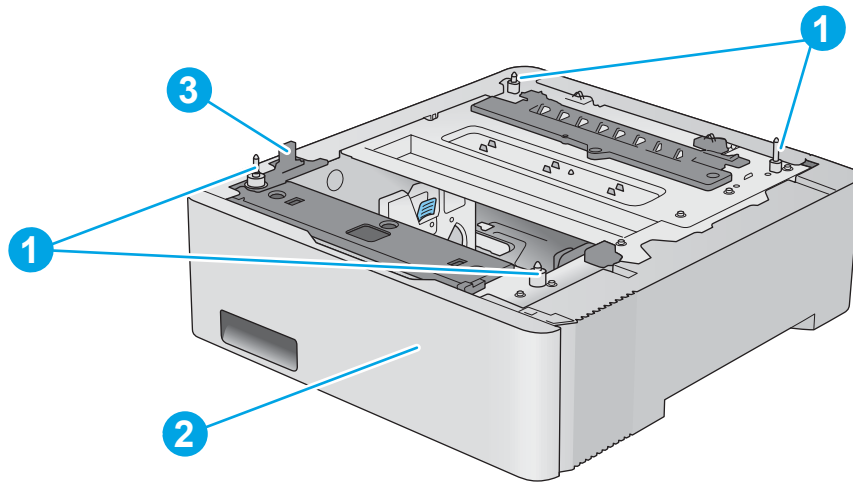
Figure 2-2 Base printer, M479



1	Scanner	7	Front door (provides toner cartridge access)
2	Document feeder	8	Output bin extension
3	Regulatory label (inside the front door)	9	Output bin
4	Tray 2	10	Front door open button (on left cover)
5	Tray 1	11	Walk-up USB port (for printing and scanning without a computer)
6	Power on/off button	12	Touchscreen control panel (tilts up for easier viewing)

550-sheet paper feeder (all models)

Figure 2-3 550-sheet paper feeder (all models)



1	Positioning pins
2	Tray 3
3	Connector

Order parts, accessories, and supplies

Ordering

Order supplies and paper	www.hp.com/go/suresupply
Order genuine HP parts or accessories	www.hp.com/buy/parts or partsurfer.hp.com
Order through service or support providers	Contact an HP-authorized service or support provider.
Order using the HP Embedded Web Server (EWS)	To access, in a supported Web browser on your computer, enter the printer IP address or host name in the address/URL field. The EWS contains a link to the HP SureSupply Web site, which provides options for purchasing Original HP supplies.

Orderable parts

Not all of the parts shown in the diagrams in this chapter can be ordered. Refer to the table following the diagram or the parts lists at the end of this chapter to determine if a part is orderable.

Supplies

Following are the part numbers for the supplies available for the printer (all models).

Table 2-4 Supplies

Item	Description	Part number
HP 414A, 415A, 416A Black Original LaserJet Toner Cartridge	Standard-capacity replacement black toner cartridge (414A, 415A, 416A)	W2020A US/ROW
		W2020-67901 (service)
		W2030A EMEA
		W2030-67901 (service)
		W2040A AP
W2040-67901 (service)		
HP 414X, 415X, 416X High Yield Black Original LaserJet Toner Cartridge	High-capacity replacement black toner cartridge (414X, 415X, 416X)	W2020X US/ROW
		W2020-67902 (service)
		W2030X EMEA
		W2030-67902 (service)
		W2040X AP
W2040-67902 (service)		

Table 2-4 Supplies (continued)

Item	Description	Part number
HP 414X, 415X, 416X Black Contract Original LaserJet Toner Cartridge	High-capacity replacement black toner cartridge (414X, 415X, 416X)	W2020XC US/ROW
		W2020-67903 (service)
		W2030XC EMEA
		W2030-67903 (service)
		W2040XC AP
HP 415A, 415A, 416A Cyan Original LaserJet Toner Cartridge	Standard-capacity replacement cyan cartridge (414A, 415A, 416A)	W2021A US/ROW
		W2021-67901 (service)
		W2031A EMEA
		W2031-67901 (service)
		W2041A AP
HP 414X, 415X, 416X High Yield Cyan Original LaserJet Toner Cartridge	High-capacity replacement cyan toner cartridge (414X, 415X, 416X)	W2021X US/ROW
		W2021-67902 (service)
		W2031X EMEA
		W2031-67902 (service)
		W2041X AP
HP 414XC, 415XC, 416XC Cyan Contract Original LaserJet Toner Cartridge	High-capacity replacement cyan toner cartridge (414X, 415X, 416X)	W2021XC US/ROW
		W2021-67903 (service)
		W2031XC EMEA
		W2031-67903 (service)
		W2041XC AP
HP 414A, 415A, 416A Yellow Original LaserJet Toner Cartridge	Standard-capacity replacement yellow toner cartridge (414A, 415A, 416A)	W2022A US/ROW
		W2022-67901 (service)
		W2032A EMEA
		W2032-67901 (service)
		W2042A AP
		W2042-67901 (service)

Table 2-4 Supplies (continued)

Item	Description	Part number
HP 414X, 415X, 416X High Yield Yellow Original LaserJet Toner Cartridge	High-capacity replacement yellow toner cartridge (414X, 415X, 416X)	W2022X
		W2022-67902 (service)
		W2032X EMEA
		W2032-67902 (service)
		W2042X AP W2042-67902(service)
HP 414XC, 415XC, 416XC Yellow Contract Original LaserJet Toner Cartridge	High-capacity replacement yellow toner cartridge (414X, 415X, 416X)	W2022XC US/ROW
		W2022-67903 (service)
		W2032XC EMEA
		W2032-67903 (service)
		W2042XC AP W2042-67903 (service)
HP 414A, 415A, 416A Magenta Original Laser Jet Toner Cartridge	Standard-capacity replacement magenta toner cartridge (414A, 415A, 416A)	C2023A US/ROW
		W2023-67901 (service)
		W2033A EMEA
		W2033-67901 (service)
		W2043A AP W2043-67901 (service)
HP 414X, 415X, 416X High Yield Magenta Original LaserJet Toner Cartridge	High-capacity replacement magenta toner cartridge (414X, 415X, 416X)	W2023X US/ROW
		W2023-67902 (service)
		W2033X EMEA
		W2033-67902 (service)
		W2043X AP W2043-67902(service)
HP 414XC, 415XC, 416XC Magenta Contract Original LaserJet Toner Cartridge	High-capacity replacement magenta toner cartridge (414X, 415X, 416X)	W2023XC US/ROW
		W2023-67903 (service)
		W2033XC EMEA
		W2033-67903 (service)
		W2043XC AP W2043-67903 (service)

Accessories

Following are the part numbers for the accessories available for the printer (all models).

Table 2-5 Accessories

Item	Description	Part number
550-sheet paper feeder	Optional 550-sheet paper feeder	CF404A (new)
		CF404-67902 (service)
USB 2.0 printer cable	A-to-B cable (2-meter standard)	DT2738 (new)
		8121-1585 (service)

Customer self-repair kits

Following are the customer-replaceable kits available for the printer. Each kit includes parts and installation instructions.

The customer self-repair (CSR) level indicates the expected difficulty the customer will experience when replacing this part:

- **A:** Easy
- **B:** Difficult

Item	Description	CSR level	Part number
550-sheet paper feeder	Replacement optional Tray 3	A	CF404-67901

HP service and support

Learn about HP access to additional service and support information.

Additional service and support for channel partners

Channel partners, go to partner.hp.com, and then use the steps below to access the HP Web-based Interactive Search Engine (WISE).

Access WISE for Channel partners

1. Select **Services & Support**, and then select **Services Delivery**.
2. Select **Technical Support**, and then select **Technical Documentation**.

Find information about the following topics

- Service manuals
- Service advisories
- Up-to-date control panel message (CPMD) troubleshooting
- Install and configure

- Printer specifications
- Solutions for printer issues and emerging issues
- Remove and replace part instructions and videos
- Warranty and regulatory information

Additional service and support for HP internal personnel

HP internal personnel, go to one of the following Web-based Interactive Search Engine (WISE) sites:

Americas (AMS)

- <https://support.hp.com/wise/home/ams-en> WISE - English
- <https://support.hp.com/wise/home/ams-es> WISE - Spanish
- <https://support.hp.com/wise/home/ams-pt> WISE - Portuguese
- <https://support.hp.com/wise/home/ams-fr> WISE - French

Asia Pacific / Japan (APJ)


- <https://support.hp.com/wise/home/apj-en> WISE - English
- <https://support.hp.com/wise/home/apj-ja> WISE - Japanese
- <https://support.hp.com/wise/home/apj-ko> WISE - Korean
- <https://support.hp.com/wise/home/apj-zh-Hans> WISE - Chinese (simplified)
- <https://support.hp.com/wise/home/apj-zh-Hant> WISE - Chinese (traditional)
- <https://support.hp.com/wise/home/apj-th> WISE - Thai


Europe / Middle East / Africa (EMEA)

- <https://support.hp.com/wise/home/emea-en> WISE - English


How to use the parts lists and diagrams

The figures in this chapter show the major subassemblies in the printer and their component parts. A parts list table follows each exploded view assembly diagram. Each table lists the item number, the associated part number, and the description of each part. If a part is not listed in the table, then it is not a field replacement unit (FRU).

 **CAUTION:** Be sure to order the correct part. When looking for part numbers for electrical components, pay careful attention to the voltage that is listed in the description column. Doing so will ensure that the part number selected is for the correct model.

 **NOTE:** In this manual, the abbreviation “PCA” stands for “printed circuit-board assembly.” Components described as a PCA might consist of a single circuit board or a circuit board plus other parts, such as cables and sensors.

Parts and diagrams: Document feeder and scanner whole units

 **NOTE:** M479 models only.

Document feeder and scanner (M479)

Figure 2-4 Document feeder and scanner (M479)

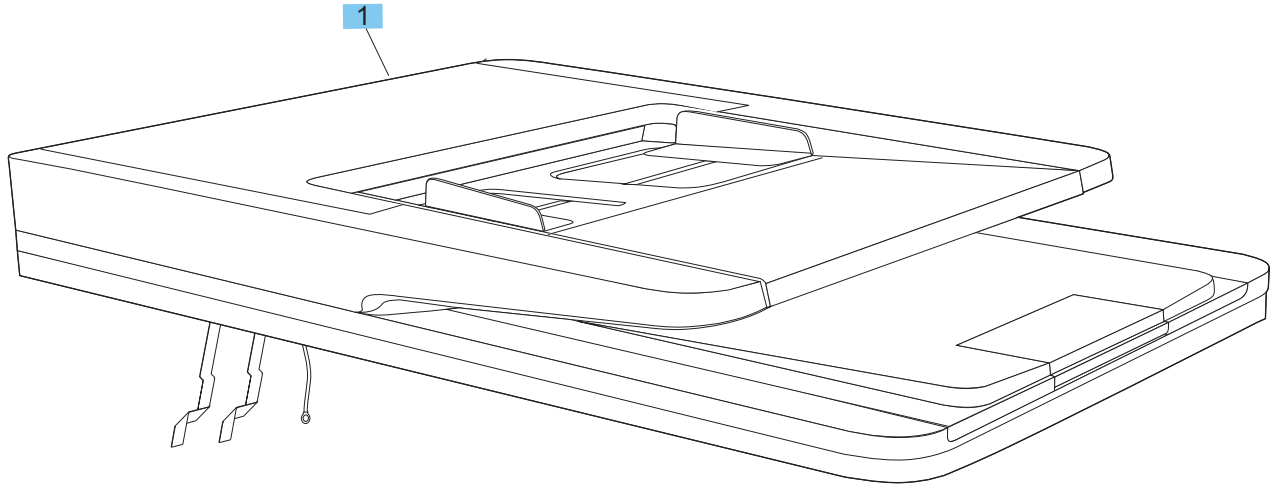


Table 2-6 Document feeder and scanner (M479)

Ref	Description	Part number	Qty
1	Integrated scanner assembly (M479) (simplex)	W1A73-60111	1
1	Integrated scanner assembly (M479) (duplex)	W1A73-60110	1
Not shown	Cover, document feeder top (M479) (includes rollers)	W1A77-67903	1

Parts and diagrams: Covers and control panels

M454 covers and control panels

Figure 2-5 M454 covers and control panels

FIGURE 100A EXTERNAL COVERS, PANELS, ETC. (M454)

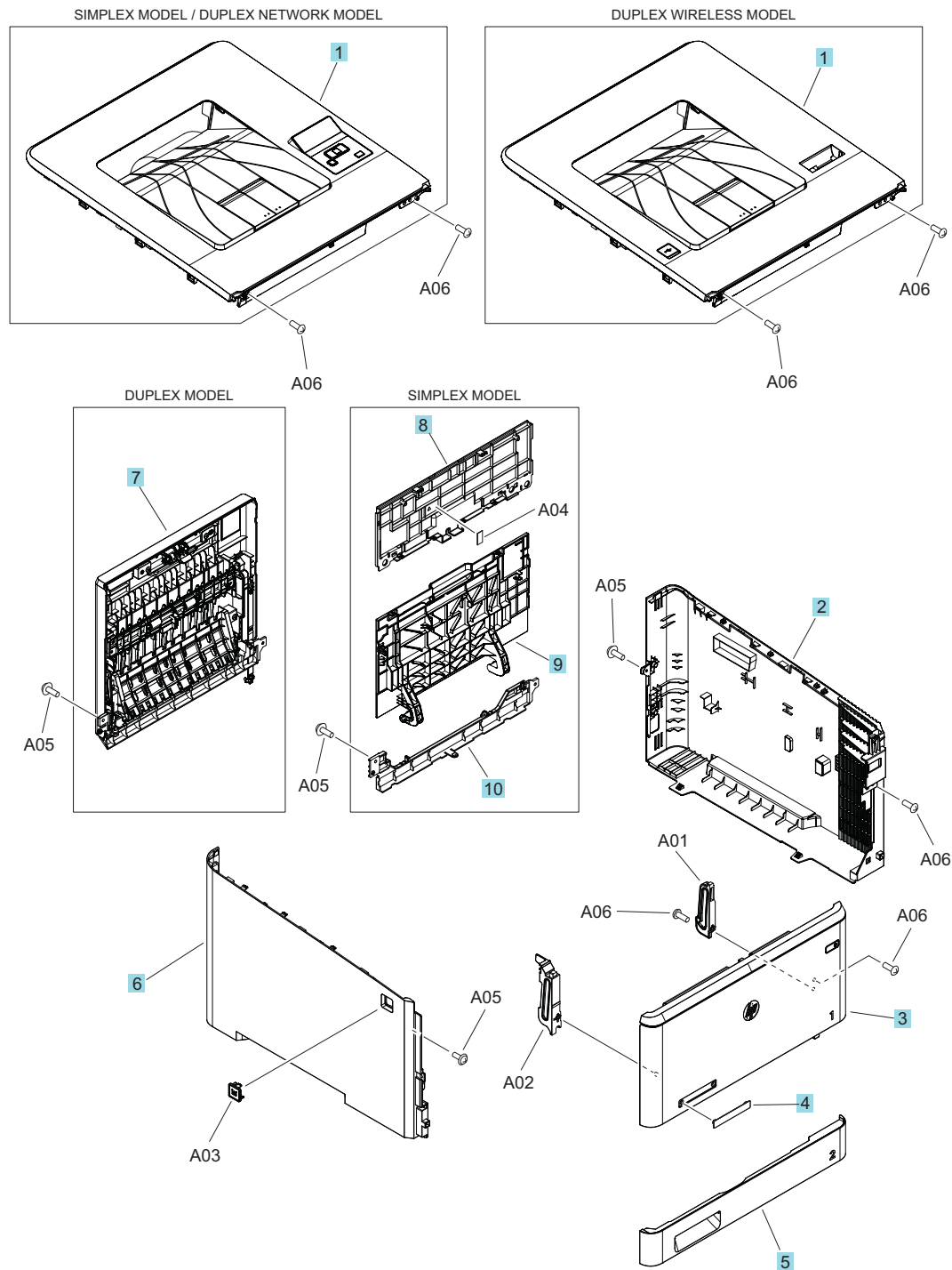


Table 2-7 M454 covers and control panels, etc.

Ref	Description	Part number	Qty
1	Cover, top assy (duplex/network)	RM2-6442-000CN	1
1	Cover, top assy (duplex/wireless)	RM2-1819-000CN	1
1	Cover, top assembly with control panel (simplex) (M454nw)	RM2-6433-000CN	1
2	Cover, right	RM4-4853-000CN	1
3	Front door assy	RM2-1823-000CN	1
4	Plate, name (simplex)	RC5-3253-000CN	1
4	Plate, name (duplex/network)	RC5-3254-000CN	1
4	Plate, name (duplex/wireless)	RC5-3255-000CN	1
5	Cover, cassette	RC4-5334-000CN	1
6	Cover, left (M454)	RC4-4854-000CN	1
7	Duplex door assembly	RM2-6383-000CN	1
8	Cover, rear (simplex models)	RC4-4855-000CN	1
9	Door, rear (simplex models)	RM2-1825-000CN	1
10	Cover, rear lower (simplex models)	RC4-5131-000CN	1
Not shown	Control panel, touchscreen 2.7" (M454dw)	W1Y45-67903	1

M479 covers and control panel

Figure 2-6 M479 covers and control panel

FIGURE 100B EXTERNAL COVERS, PANELS, ETC. (M479)

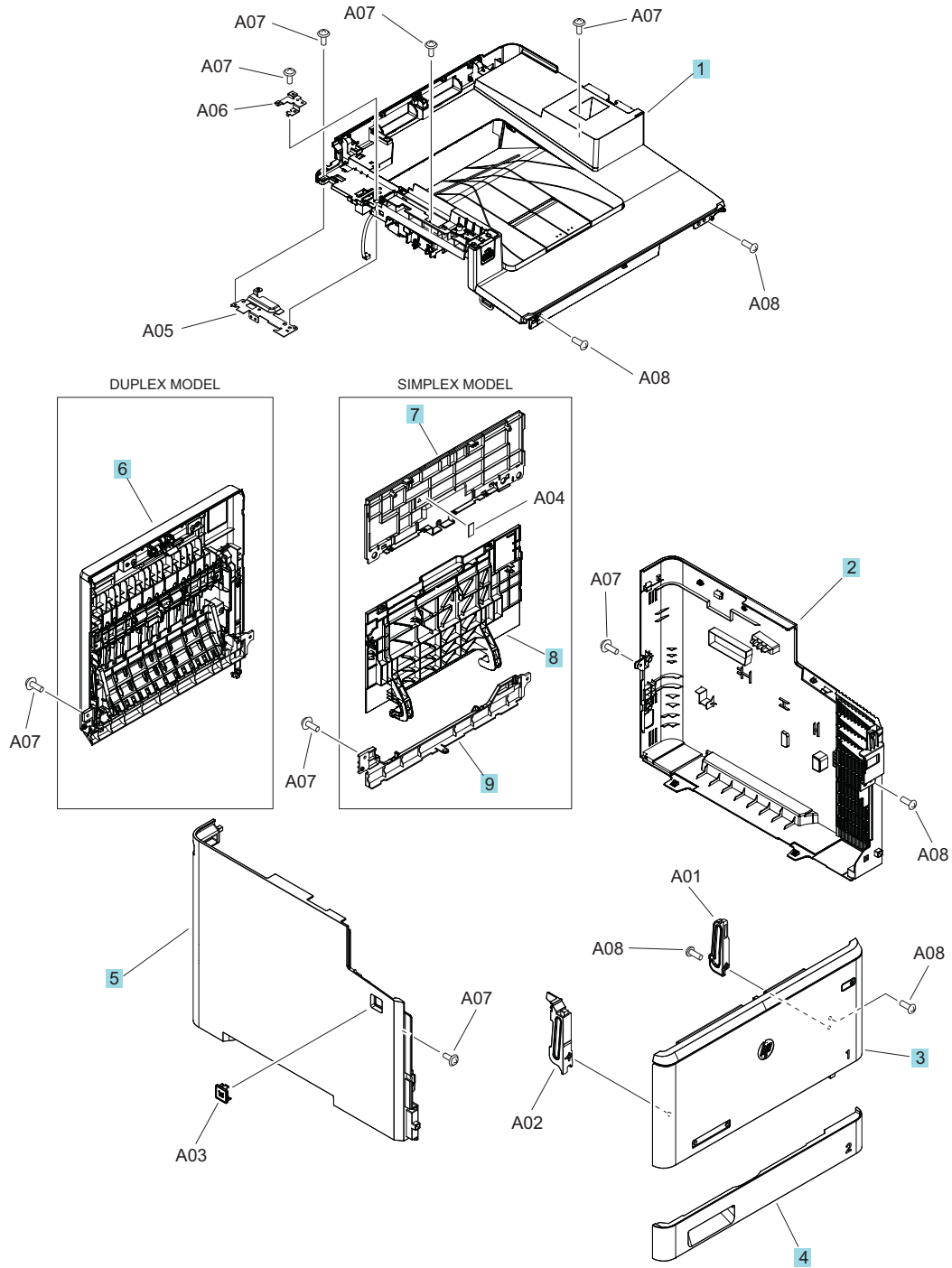


Table 2-8 M479 covers and control panel, etc.

Ref	Description	Part number	Qty
1	Cover, top assy (duplex network models)	RM2-1814-000CN	1
1	Cover, top assy (duplex wireless models)	RM2-1815-000CN	1
2	Cover, right (M479)	RC4-6044-000CN	1
3	Front door assy	RM2-1824-000CN	1
4	Cover, cassette	RC4-5334-000CN	1
5	Cover, left (M479)	RC4-6045-000CN	1
6	Duplexing door assy	RM2-6383-000CN	1
7	Cover, rear (simplex models)	RC4-4855-000CN	1
8	Rear door (simplex models)	RM2-1825-000CN	1
9	Cover, Rear lower (simplex models)	RC4-5131-000CN	1
Not shown	Assembly, control panel mount chassis 4.3 (M479)	CF377-60113	1
Not shown	Control panel mount chassis 4.3 (M479)	B3Q10-40055	1
Not shown	Gear, control panel friction (M479)	B3Q09-40003	1
Not shown	FFC cover (M479)	CF377-40004	1
Not shown	Fax cover (M479)	CF377-40005	1
Not shown	Fax cable cover (M479)	CF377-40006	1
Not shown	Shield, RFI SSA FFC (M479)	CF377-00006	1

Parts and diagrams: Internal components

Internal components (1 of 5)

Figure 2-7 Internal components (1 of 5)

FIGURE 101 INTERNAL COMPONENTS 1

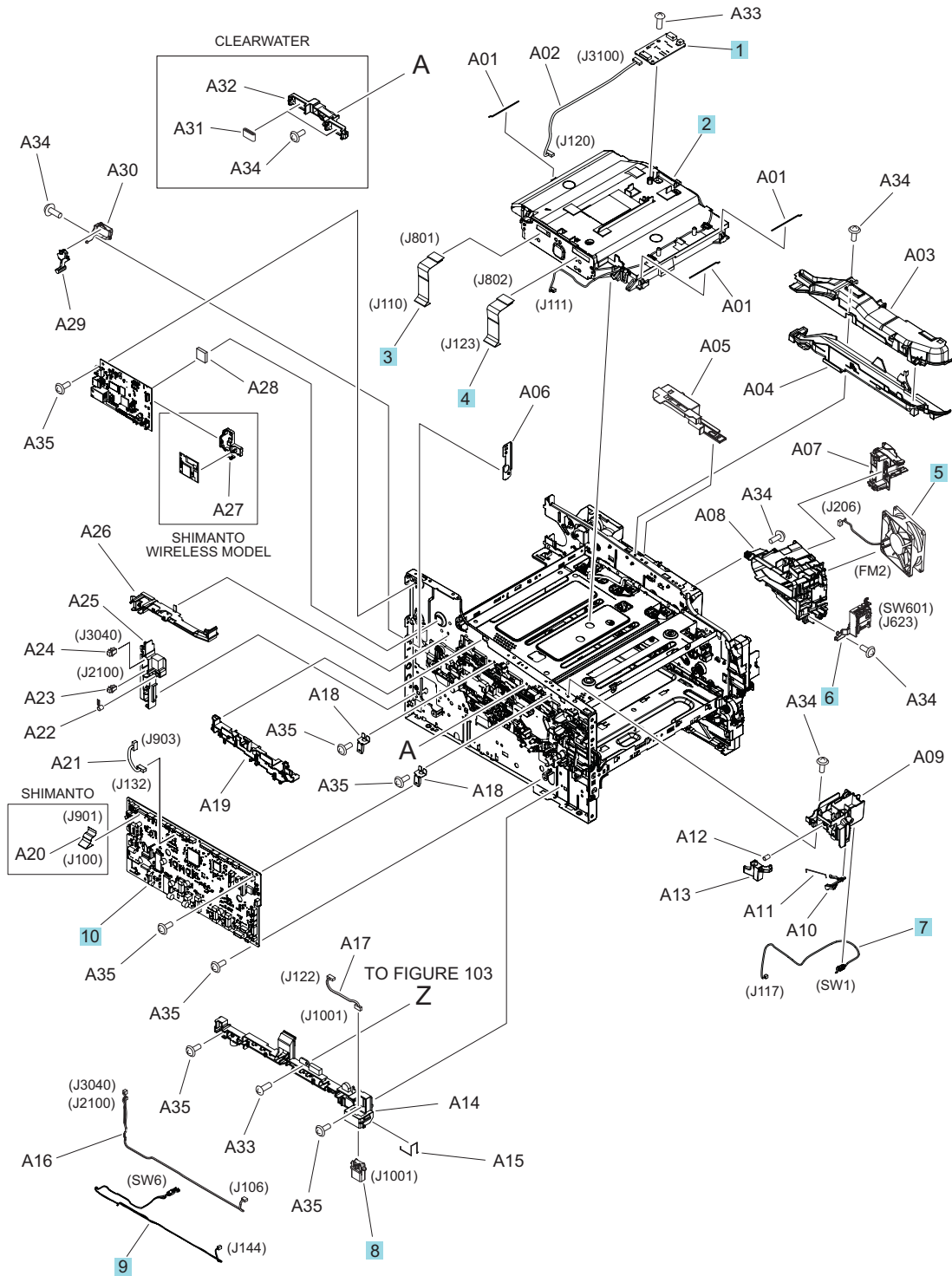


Table 2-9 Internal components (1 of 5)

Ref	Description	Part number	Qty
1	Memory PCA assy	RM3-7245-000CN	1
2	Laser scanner assy	RM2-5612-000CN	1
3	Cable, scanner FFC	RM2-8662-000CN	1
4	Cable, scanner FFC	RM2-8663-000CN	1
5	Fan (FM2)	RK2-6270-000CN	1
6	Power switch assembly	RM2-6373-000CN	1
7	Switch, cable front door assembly	RM3-7227-000CN	1
8	Connector drawer	VS1-7258-007CN	1
9	Switch, cassette cable assembly	RM2-7896-000CN	1
10	Engine controller PCA (duplex models)	RM3-7238-000CN	1
10	Engine controller PCA (simplex models)	RM3-7238-000CN	1
Not shown	Formatter PCA, (M454nw)	W1Y43-67901	1
Not shown	Formatter PCA, (M454nw) China only	W1Y43-67902	1
Not shown	Formatter PCA, (M454dn)	W1Y44-67901	1
Not shown	Formatter PCA, (M454dn) China only	W1Y44-67902	1
Not shown	Formatter PCA (M454dw)	W1Y45-67901	1
Not shown	Formatter PCA (M454dw-China only)	W1Y45-67902	1
Not shown	Formatter PCA (M479dw)	W1A77-67901	1
Not shown	Formatter PCA (M79dw-China only)	W1A77-67902	1
Not shown	Formatter PCA (M479fnw)	W1A78-67901	1
Not shown	Formatter PCA (M479fnw-China only)	W1A78-67902	1
Not shown	Formatter PCA, generic (M479fdn)	W1A79-67901	1
Not shown	Formatter PCA, generic (M479fdn) China only	W1A79-67902	1
Not shown	Formatter PCA (M479fdw)	W1A80-67901	1
10	Formatter PCA (M479fdw-China only)	W1A80-67902	1
Not shown	Wireless PCA (M454nw/dw)	0960-4025	1
Not shown	Wireless PCA (M479fnw/fdw)	0960-4025	1
Not shown	Fax PCA (M479; US)	W1A78-67906	1
Not shown	Fax PCA (M479; Europe)	W1A78-67907	1
Not shown	Fax PCA (M479; Brazil)	W1A78-67908	1
Not shown	Fax PCA (M479; Philippines/AP)	W1A78-67909	1

Internal components (2 of 5)

Figure 2-8 Internal components (2 of 5)

FIGURE 102 INTERNAL COMPONENTS 2

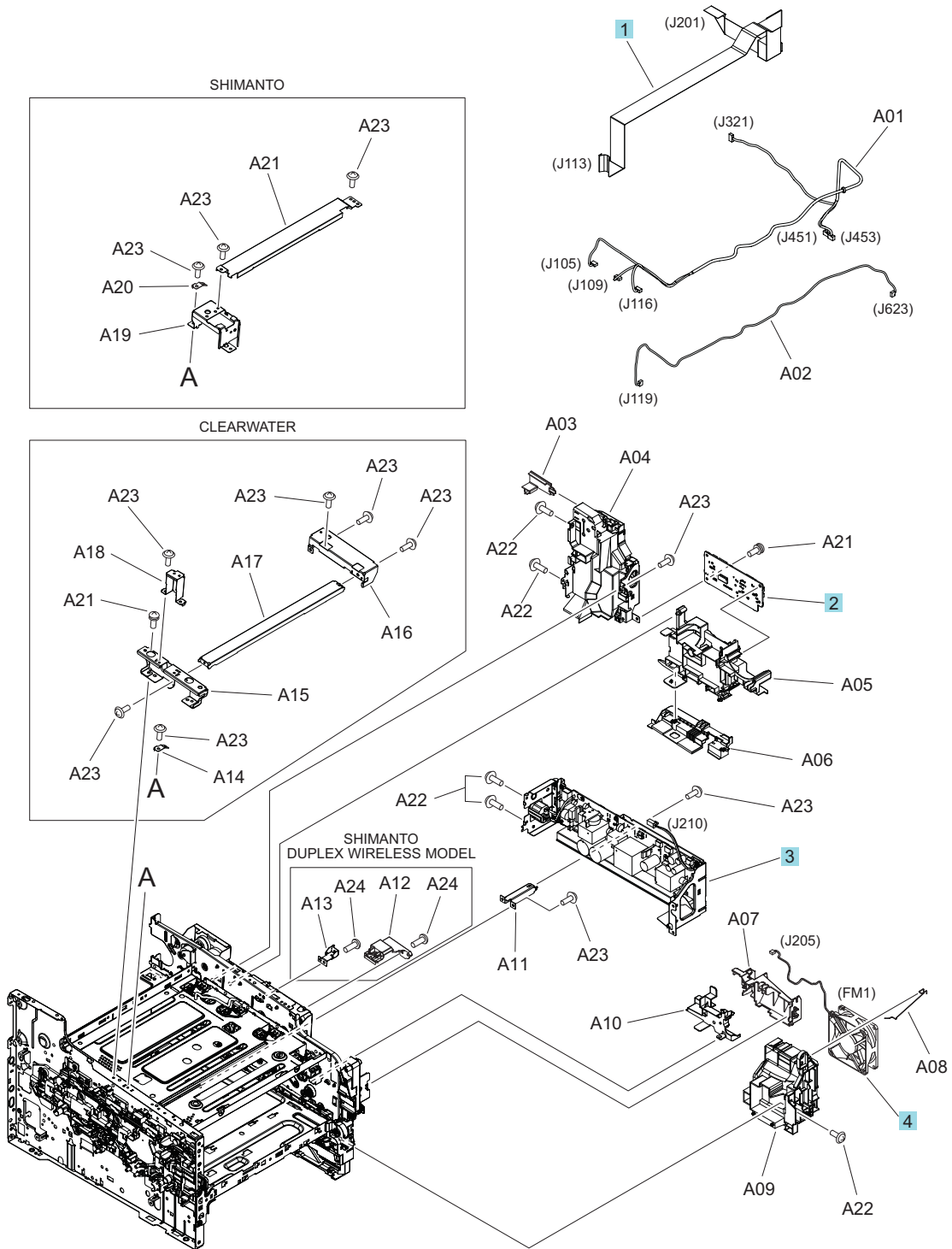


Table 2-10 Internal components (2 of 5)

Ref	Description	Part number	Qty
1	Cable, flexible flat	RM2-8661-000CN	1
2	Driver PCA	RM2-7369-000CN	1
3	Low-voltage power supply (110-127V)	RM3-7241-000CN	1
3	Low-voltage power supply (220-240V)	RM3-7242-000CN	1
4	Fan (FM1)	RK2-6270-000CN	1
Not shown	Remote antenna (M454nw/dw)	0960-3467	1
Not shown	Wireless bracket (M479fnw/fdw)	CF377-40007	1
Not shown	Wireless cable (M479fnw/fdw)	CF377-60115	1
Not shown	Cable, fax (M479)	CF377-60105	1
Not shown	Cable, FFC (M479)	CF388-60116	1

Internal components (3 of 5)

Figure 2-9 Internal components (3 of 5)

FIGURE 103 INTERNAL COMPONENTS 3

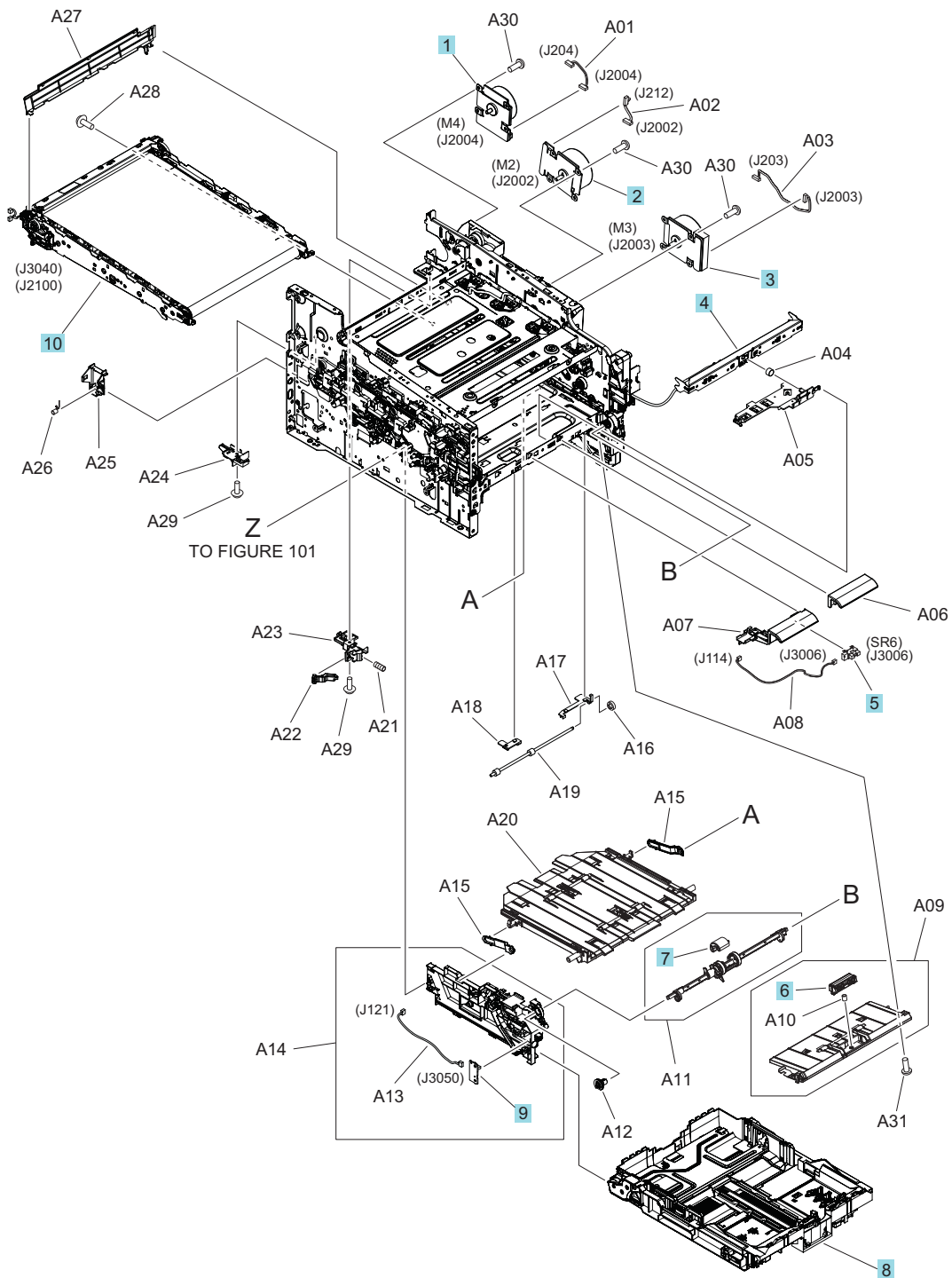


Table 2-11 Internal components (3 of 5)

Ref	Description	Part number	Qty
1	Motor, fuser (M4)	RM2-7349-000CN	1
2	Motor, drum (M2)	RM2-7342-000CN	1
3	Motor, developing (M3)	RM2-7344-000CN	1
4	Sensor, density detect	RM2-7399-000CN	1
5	Photointerrupter	WG8-5935-000CN	1
6	Pad, separation assembly	RM2-6406-000CN	1
7	Roller, paper pickup	RL1-2593-000CN	1
8	Cassette (Tray 2) assembly	RM2-6377-000CN	1
9	Sensor, environment PCA	RM2-7236-000CN	1
10	Intermediate transfer belt (ITB)	RM2-6454-000CN	1

Internal components (4 of 5)

Figure 2-10 Internal components (4 of 5)

FIGURE 104 INTERNAL COMPONENTS 4

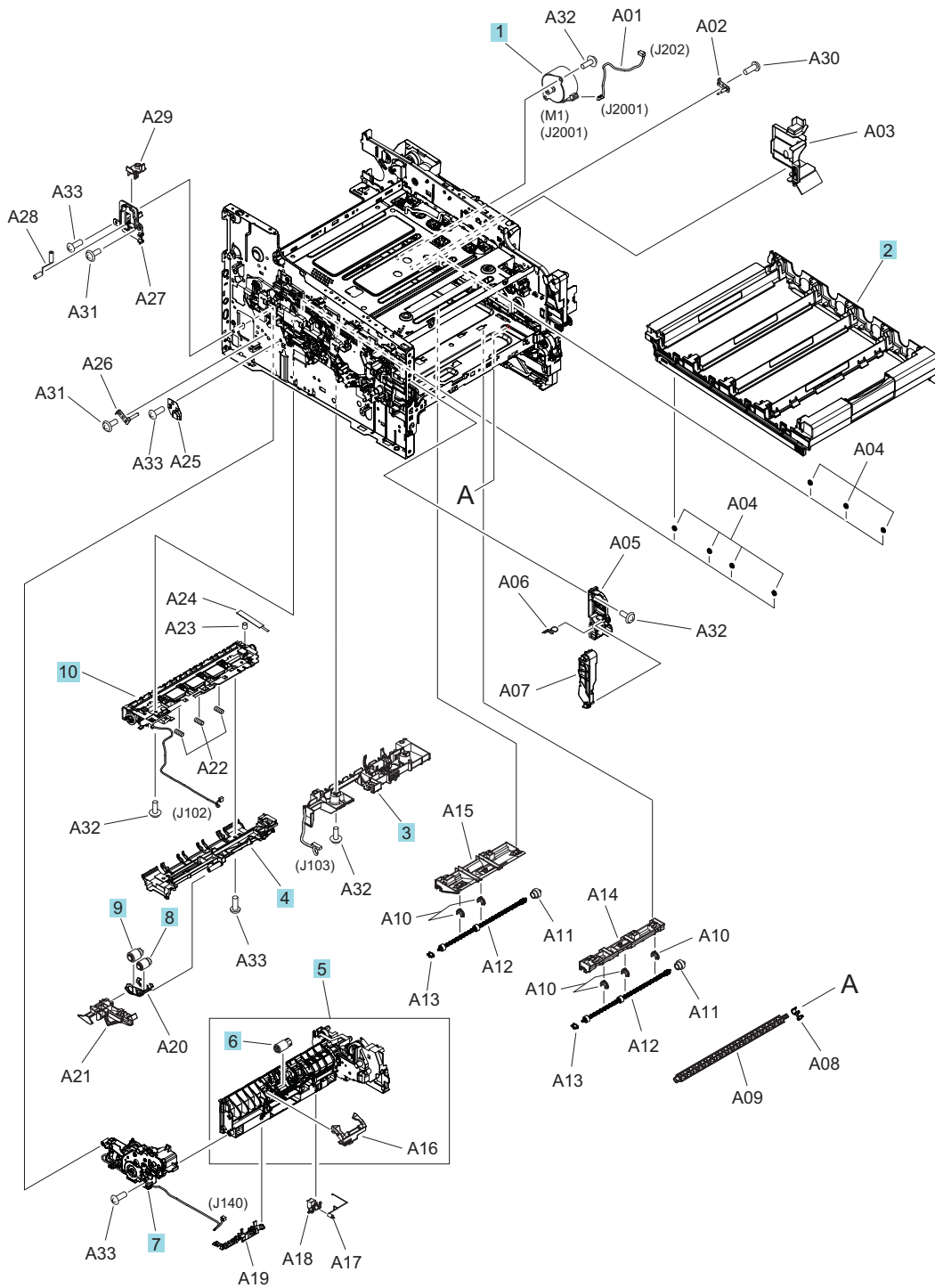


Table 2-12 Internal components (4 of 5)

Ref	Description	Part number	Qty
1	Motor, pickup (M1)	RM2-7350-000CN	1
2	Cartridge tray assembly	RM2-1807-000CN	1
3	Feed guide assembly, front	RM2-6368-000CN	1
4	Feed guide assembly, rear	RM2-6366-000CN	1
5	Paper pickup assembly	RM2-6372-000CN	1
6	Roller, separation	RM2-5881-000CN	1
7	Lifter drive assembly	RM2-6370-000CN	1
8	Roller, paper pickup assembly	RM2-5576-000CN	1
9	Roller, feed assembly	RM2-5577-000CN	1
10	Registration assembly	RM2-6374-000CN	1

Internal components (5 of 5)

Figure 2-11 Internal components (5 of 5)

FIGURE 105 INTERNAL COMPONENTS 5

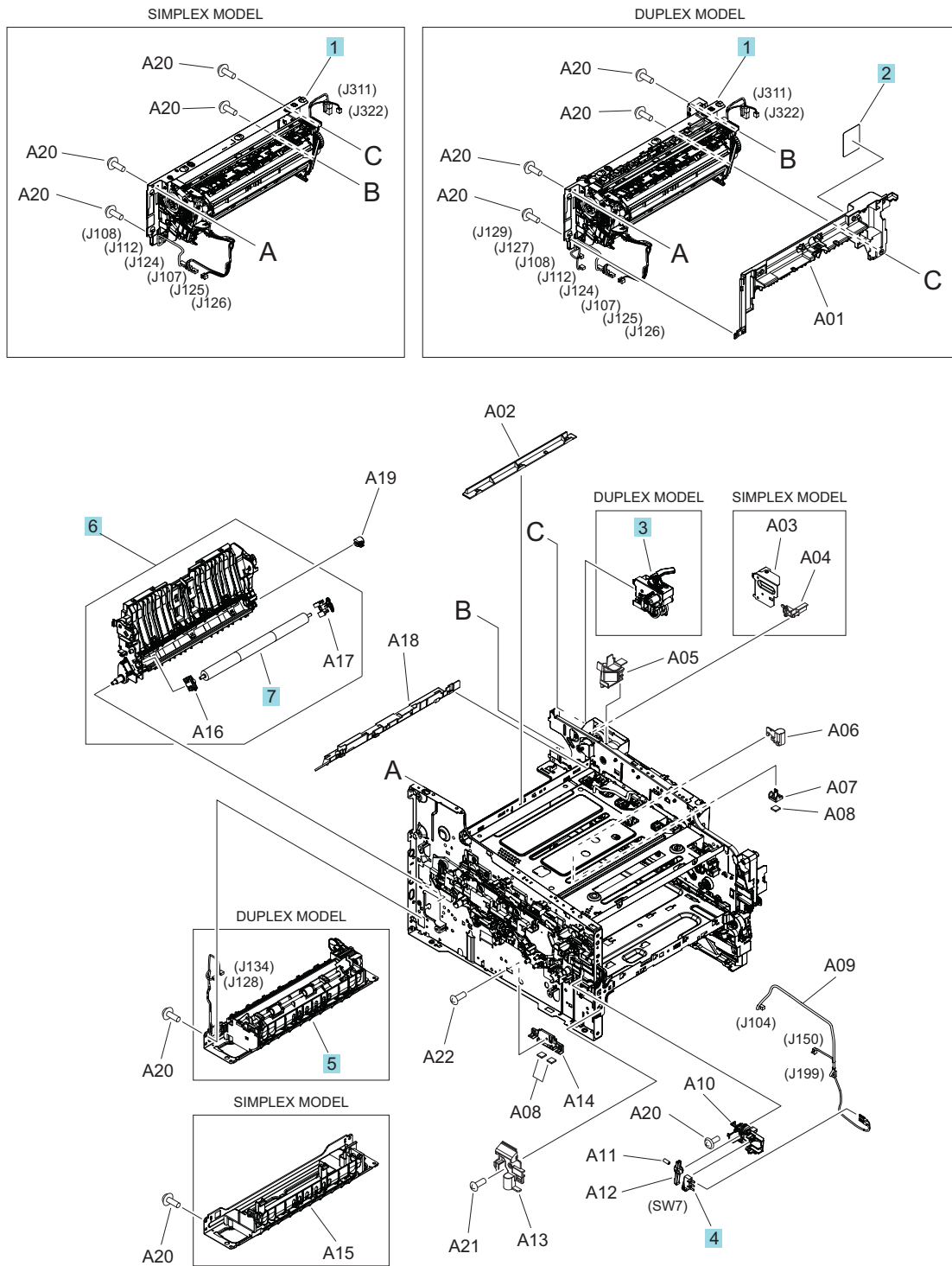


Table 2-13 Internal components (5 of 5)

Ref	Description	Part number	Qty
1	Fuser (duplex; 110-127V)	RM2-6460-000CN	1
1	Fuser (duplex; 220-240V)	RM2-6461-000CN	1
1	Fuser (simplex; 110-127V)	RM2-6431-000CN	1
1	Fuser (simplex; 220-240V)	RM2-6436-000CN	1
2	Label, high temp; Caution (duplex models)	RU7-8613-000CN	1
3	Reverse drive assembly (duplex models)	RM2-6389-000CN	1
4	Front door switch (microswitch)	RK2-0534-000CN	1
5	Paper pickup assembly (duplex models)	RM2-6387-000CN	1
6	Secondary transfer assembly (duplex models)	RM2-6397-000CN	1
6	Secondary transfer assembly (simplex models)	RM2-6430-000CN	1
7	Secondary transfer roller	RM2-6455-000CN	1
Not shown	Mute cable	5851-7005	

Parts and diagrams: 550-sheet paper feeder

550-sheet paper feeder covers

Figure 2-12 550-sheet paper feeder covers

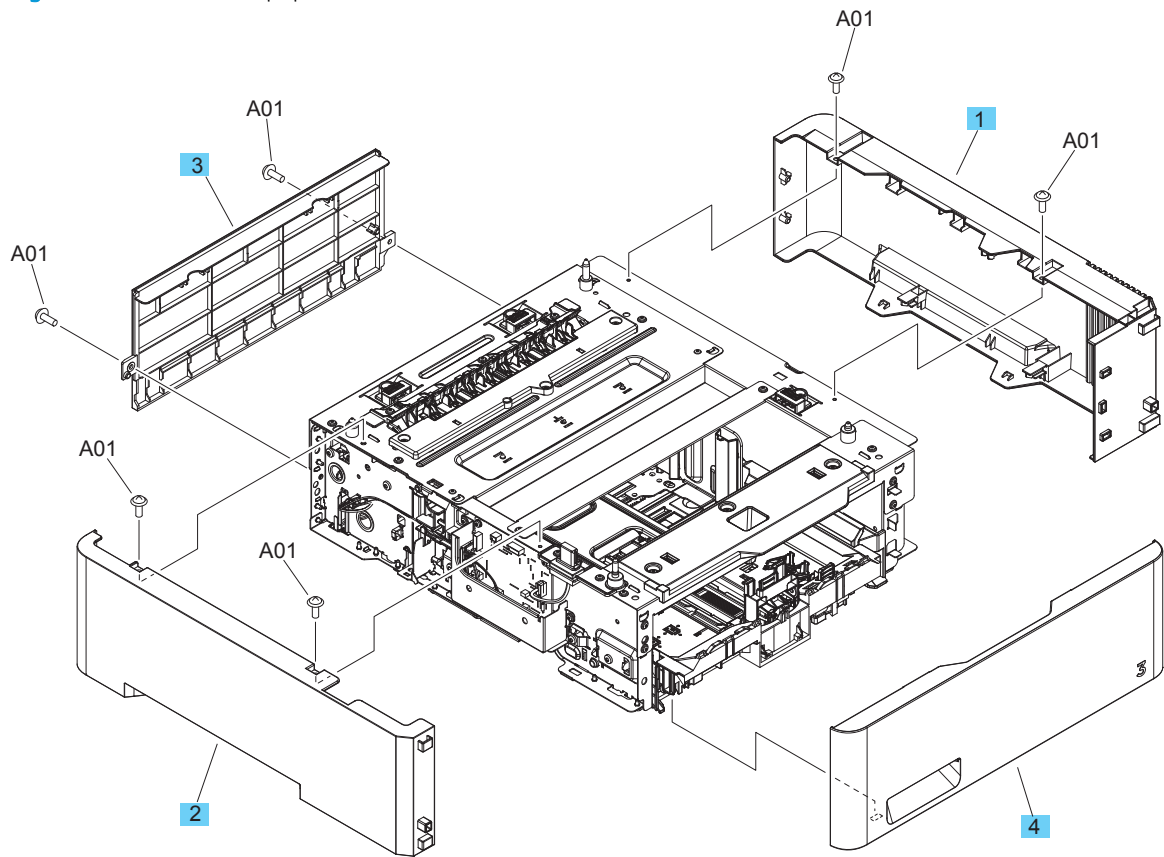


Table 2-14 550-sheet paper feeder covers

Ref	Description	Part number	Qty
1	Cover, left (550-sheet feeder)	RC4-2201-000CN	1
2	Cover, right (550-sheet feeder)	RC4-2202-000CN	1
3	Cover, rear (550-sheet feeder)	RC4-2203-000CN	1
4	Cover, cassette (550-sheet feeder)	RC4-2224-000CN	1

550-sheet paper feeder main body (1 of 2)

Figure 2-13 550-sheet paper feeder main body (1 of 2)

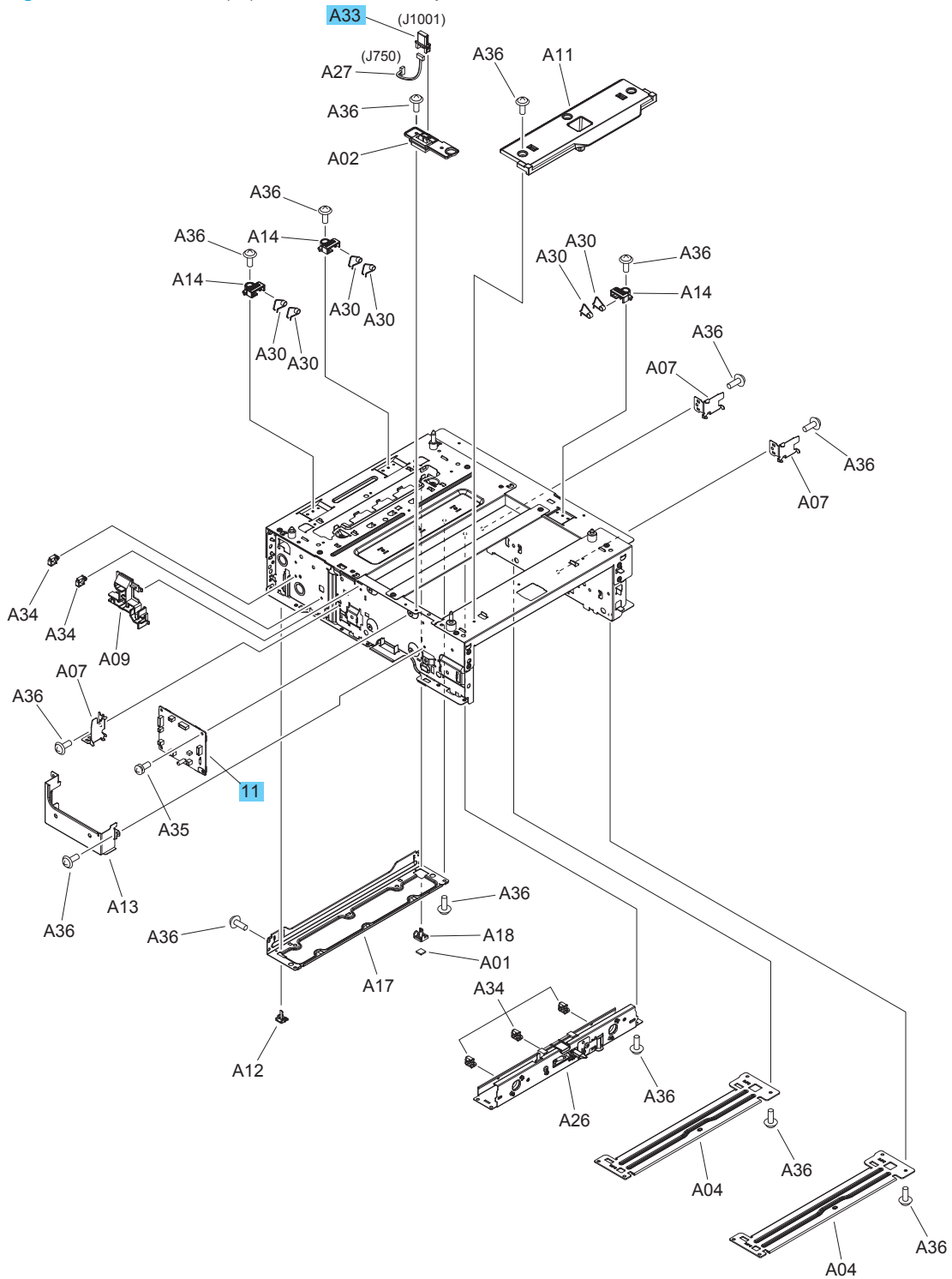


Table 2-15 550-sheet paper feeder main body (1 of 2)

Ref	Description	Part number	Qty
11	Paper feeder driver PCA (550-sheet feeder)	RM2-7366-000CN	1
A33	Connector, drawer (550-sheet feeder)	VS1-7257-007CN	1

550-sheet paper feeder main body (2 of 2)

Figure 2-14 550-sheet paper feeder main body (2 of 2)

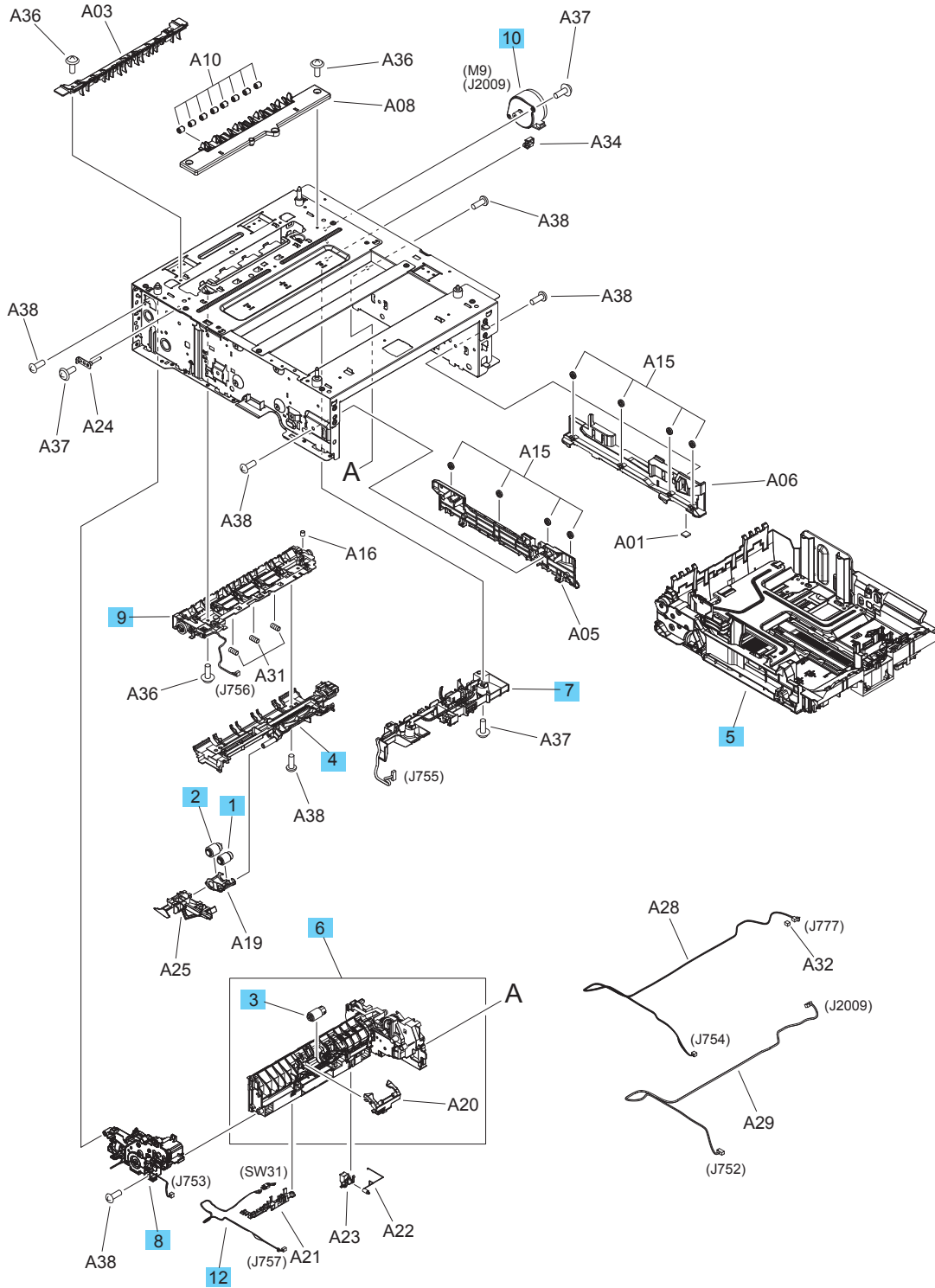


Table 2-16 550-sheet paper feeder main body (2 of 2)

Ref	Description	Part number	Qty
1	Paper pickup roller assembly (550-sheet feeder)	RM2-5576-000CN	1
2	Feed roller assembly (550-sheet feeder)	RM2-5577-000CN	1
3	Separation roller assembly (550-sheet feeder)	RM2-5881-000CN	1
4	Feed guide assembly, rear (550-sheet feeder)	RM2-6366-000CN	1
5	Cassette assembly (550-sheet feeder)	RM2-6486-000CN	1
6	Paper pickup assembly (550-sheet feeder)	RM2-6490-000CN	1
7	Feed guide assembly, front (550-sheet feeder)	RM2-6492-000CN	1
8	Lifter drive assembly (550-sheet feeder)	RM2-6493-000CN	1
9	Paper feed assembly (550-sheet feeder)	RM2-6494-000CN	1
10	Pickup motor (M9) (550-sheet feeder)	RM2-7350-000CN	1
12	Switch cable assembly (550-sheet feeder)	RM2-7897-000CN	1

Alphabetical parts list

Table 2-17 Alphabetical parts list

Description	Part number	Table and page
Assembly, control panel mount chassis 4.3 (M479)	CF377-60113	M479 covers and control panel, etc. on page 1571
Cable, fax (M479)	CF377-60105	Internal components (2 of 5) on page 1575
Cable, FFC (M479)	CF388-60116	Internal components (2 of 5) on page 1575
Cable, flexible flat	RM2-8661-000CN	Internal components (2 of 5) on page 1575
Cable, scanner FFC	RM2-8662-000CN	Internal components (1 of 5) on page 1573
Cable, scanner FFC	RM2-8663-000CN	Internal components (1 of 5) on page 1573
Cartridge tray assembly	RM2-1807-000CN	Internal components (4 of 5) on page 1579
Cassette (Tray 2) assembly	RM2-6377-000CN	Internal components (3 of 5) on page 1577
Cassette assembly (550-sheet feeder)	RM2-6486-000CN	550-sheet paper feeder main body (2 of 2) on page 1587
Connector drawer	VS1-7258-007CN	Internal components (1 of 5) on page 1573
Connector, drawer (550-sheet feeder)	VS1-7257-007CN	550-sheet paper feeder main body (1 of 2) on page 1585
Control panel mount chassis 4.3 (M479)	B3Q10-40055	M479 covers and control panel, etc. on page 1571
Control panel, touchscreen 2.7" (M454dw)	W1Y45-67903	M454 covers and control panels, etc. on page 1569
Cover, cassette (550-sheet feeder)	RC4-2224-000CN	550-sheet paper feeder covers on page 1583
Cover, cassette	RC4-5334-000CN	M479 covers and control panel, etc. on page 1571
Cover, cassette	RC4-5334-000CN	M454 covers and control panels, etc. on page 1569
Cover, document feeder top (M479) (includes rollers)	W1A77-67903	Document feeder and scanner (M479) on page 1567
Cover, left (550-sheet feeder)	RC4-2201-000CN	550-sheet paper feeder covers on page 1583
Cover, left (M454)	RC4-4854-000CN	M454 covers and control panels, etc. on page 1569
Cover, left (M479)	RC4-6045-000CN	M479 covers and control panel, etc. on page 1571

Table 2-17 Alphabetical parts list (continued)

Description	Part number	Table and page
Cover, rear (550-sheet feeder)	RC4-2203-000CN	550-sheet paper feeder covers on page 1583
Cover, rear (simplex models)	RC4-4855-000CN	M454 covers and control panels, etc. on page 1569
Cover, rear (simplex models)	RC4-4855-000CN	M479 covers and control panel, etc. on page 1571
Cover, Rear lower (simplex models)	RC4-5131-000CN	M479 covers and control panel, etc. on page 1571
Cover, rear lower (simplex models)	RC4-5131-000CN	M454 covers and control panels, etc. on page 1569
Cover, right (550-sheet feeder)	RC4-2202-000CN	550-sheet paper feeder covers on page 1583
Cover, right (M479)	RC4-6044-000CN	M479 covers and control panel, etc. on page 1571
Cover, right	RM4-4853-000CN	M454 covers and control panels, etc. on page 1569
Cover, top assembly with control panel (simplex) (M454nw)	RM2-6433-000CN	M454 covers and control panels, etc. on page 1569
Cover, top assy (duplex network models)	RM2-1814-000CN	M479 covers and control panel, etc. on page 1571
Cover, top assy (duplex wireless models)	RM2-1815-000CN	M479 covers and control panel, etc. on page 1571
Cover, top assy (duplex/network)	RM2-6442-000CN	M454 covers and control panels, etc. on page 1569
Cover, top assy (duplex/wireless)	RM2-1819-000CN	M454 covers and control panels, etc. on page 1569
Door, rear (simplex models)	RM2-1825-000CN	M454 covers and control panels, etc. on page 1569
Driver PCA	RM2-7369-000CN	Internal components (2 of 5) on page 1575
Duplex door assembly	RM2-6383-000CN	M454 covers and control panels, etc. on page 1569
Duplexing door assy	RM2-6383-000CN	M479 covers and control panel, etc. on page 1571
Engine controller PCA (duplex models)	RM3-7238-000CN	Internal components (1 of 5) on page 1573
Engine controller PCA (simplex models)	RM3-7238-000CN	Internal components (1 of 5) on page 1573
Fan (FM1)	RK2-6270-000CN	Internal components (2 of 5) on page 1575
Fan (FM2)	RK2-6270-000CN	Internal components (1 of 5) on page 1573

Table 2-17 Alphabetical parts list (continued)

Description	Part number	Table and page
Fax cable cover (M479)	CF377-40006	M479 covers and control panel, etc. on page 1571
Fax cover (M479)	CF377-40005	M479 covers and control panel, etc. on page 1571
Fax PCA (M479; Brazil)	W1A78-67908	Internal components (1 of 5) on page 1573
Fax PCA (M479; Europe)	W1A78-67907	Internal components (1 of 5) on page 1573
Fax PCA (M479; Philippines/AP)	W1A78-67909	Internal components (1 of 5) on page 1573
Fax PCA (M479; US)	W1A78-67906	Internal components (1 of 5) on page 1573
Feed guide assembly, front (550-sheet feeder)	RM2-6492-000CN	550-sheet paper feeder main body (2 of 2) on page 1587
Feed guide assembly, front	RM2-6368-000CN	Internal components (4 of 5) on page 1579
Feed guide assembly, rear (550-sheet feeder)	RM2-6366-000CN	550-sheet paper feeder main body (2 of 2) on page 1587
Feed guide assembly, rear	RM2-6366-000CN	Internal components (4 of 5) on page 1579
Feed roller assembly (550-sheet feeder)	RM2-5577-000CN	550-sheet paper feeder main body (2 of 2) on page 1587
FFC cover (M479)	CF377-40004	M479 covers and control panel, etc. on page 1571
Formatter PCA (M454dw)	W1Y45-67901	Internal components (1 of 5) on page 1573
Formatter PCA (M454dw-China only)	W1Y45-67902	Internal components (1 of 5) on page 1573
Formatter PCA (M479dw)	W1A77-67901	Internal components (1 of 5) on page 1573
Formatter PCA (M479fdw)	W1A80-67901	Internal components (1 of 5) on page 1573
Formatter PCA (M479fdw-China only)	W1A80-67902	Internal components (1 of 5) on page 1573
Formatter PCA (M479fnw)	W1A78-67901	Internal components (1 of 5) on page 1573
Formatter PCA (M479fnw-China only)	W1A78-67902	Internal components (1 of 5) on page 1573
Formatter PCA (M79dw-China only)	W1A77-67902	Internal components (1 of 5) on page 1573
Formatter PCA, (M454dn) China only	W1Y44-67902	Internal components (1 of 5) on page 1573

Table 2-17 Alphabetical parts list (continued)

Description	Part number	Table and page
Formatter PCA, (M454dn)	W1Y44-67901	Internal components (1 of 5) on page 1573
Formatter PCA, (M454nw) China only	W1Y43-67902	Internal components (1 of 5) on page 1573
Formatter PCA, (M454nw)	W1Y43-67901	Internal components (1 of 5) on page 1573
Formatter PCA, generic (M479fdn) China only	W1A79-67902	Internal components (1 of 5) on page 1573
Formatter PCA, generic (M479fdn)	W1A79-67901	Internal components (1 of 5) on page 1573
Front door assy	RM2-1823-000CN	M454 covers and control panels, etc. on page 1569
Front door assy	RM2-1824-000CN	M479 covers and control panel, etc. on page 1571
Front door switch (microswitch)	RK2-0534-000CN	Internal components (5 of 5) on page 1581
Fuser (duplex; 110-127V)	RM2-6460-000CN	Internal components (5 of 5) on page 1581
Fuser (duplex; 220-240V)	RM2-6461-000CN	Internal components (5 of 5) on page 1581
Fuser (simplex; 110-127V)	RM2-6431-000CN	Internal components (5 of 5) on page 1581
Fuser (simplex; 220-240V)	RM2-6436-000CN	Internal components (5 of 5) on page 1581
Gear, control panel friction (M479)	B3Q09-40003	M479 covers and control panel, etc. on page 1571
Integrated scanner assembly (M479) (duplex)	W1A73-60110	Document feeder and scanner (M479) on page 1567
Integrated scanner assembly (M479) (simplex)	W1A73-60111	Document feeder and scanner (M479) on page 1567
Intermediate transfer belt (ITB)	RM2-6454-000CN	Internal components (3 of 5) on page 1577
Label, high temp; Caution (duplex models)	RU7-8613-000CN	Internal components (5 of 5) on page 1581
Laser scanner assy	RM2-5612-000CN	Internal components (1 of 5) on page 1573
Lifter drive assembly (550-sheet feeder)	RM2-6493-000CN	550-sheet paper feeder main body (2 of 2) on page 1587
Lifter drive assembly	RM2-6370-000CN	Internal components (4 of 5) on page 1579
Low-voltage power supply (110-127V)	RM3-7241-000CN	Internal components (2 of 5) on page 1575

Table 2-17 Alphabetical parts list (continued)

Description	Part number	Table and page
Low-voltage power supply (220-240V)	RM3-7242-000CN	Internal components (2 of 5) on page 1575
Memory PCA assy	RM3-7245-000CN	Internal components (1 of 5) on page 1573
Motor, developing (M3)	RM2-7344-000CN	Internal components (3 of 5) on page 1577
Motor, drum (M2)	RM2-7342-000CN	Internal components (3 of 5) on page 1577
Motor, fuser (M4)	RM2-7349-000CN	Internal components (3 of 5) on page 1577
Motor, pickup (M1)	RM2-7350-000CN	Internal components (4 of 5) on page 1579
Mute cable	5851-7005	Internal components (5 of 5) on page 1581
Pad, separation assembly	RM2-6406-000CN	Internal components (3 of 5) on page 1577
Paper feed assembly (550-sheet feeder)	RM2-6494-000CN	550-sheet paper feeder main body (2 of 2) on page 1587
Paper feeder driver PCA (550-sheet feeder)	RM2-7366-000CN	550-sheet paper feeder main body (1 of 2) on page 1585
Paper pickup assembly (550-sheet feeder)	RM2-6490-000CN	550-sheet paper feeder main body (2 of 2) on page 1587
Paper pickup assembly (duplex models)	RM2-6387-000CN	Internal components (5 of 5) on page 1581
Paper pickup assembly	RM2-6372-000CN	Internal components (4 of 5) on page 1579
Paper pickup roller assembly (550-sheet feeder)	RM2-5576-000CN	550-sheet paper feeder main body (2 of 2) on page 1587
Photointerrupter	WG8-5935-000CN	Internal components (3 of 5) on page 1577
Pickup motor (M9) (550-sheet feeder)	RM2-7350-000CN	550-sheet paper feeder main body (2 of 2) on page 1587
Plate, name (duplex/network)	RC5-3254-000CN	M454 covers and control panels, etc. on page 1569
Plate, name (duplex/wireless)	RC5-3255-000CN	M454 covers and control panels, etc. on page 1569
Plate, name (simplex)	RC5-3253-000CN	M454 covers and control panels, etc. on page 1569
Power switch assembly	RM2-6373-000CN	Internal components (1 of 5) on page 1573
Rear door (simplex models)	RM2-1825-000CN	M479 covers and control panel, etc. on page 1571

Table 2-17 Alphabetical parts list (continued)

Description	Part number	Table and page
Registration assembly	RM2-6374-000CN	Internal components (4 of 5) on page 1579
Remote antenna (M454nw/dw)	0960-3467	Internal components (2 of 5) on page 1575
Reverse drive assembly (duplex models)	RM2-6389-000CN	Internal components (5 of 5) on page 1581
Roller, feed assembly	RM2-5577-000CN	Internal components (4 of 5) on page 1579
Roller, paper pickup assembly	RM2-5576-000CN	Internal components (4 of 5) on page 1579
Roller, paper pickup	RL1-2593-000CN	Internal components (3 of 5) on page 1577
Roller, separation	RM2-5881-000CN	Internal components (4 of 5) on page 1579
Secondary transfer assembly (duplex models)	RM2-6397-000CN	Internal components (5 of 5) on page 1581
Secondary transfer assembly (simplex models)	RM2-6430-000CN	Internal components (5 of 5) on page 1581
Secondary transfer roller	RM2-6455-000CN	Internal components (5 of 5) on page 1581
Sensor, density detect	RM2-7399-000CN	Internal components (3 of 5) on page 1577
Sensor, environment PCA	RM2-7236-000CN	Internal components (3 of 5) on page 1577
Separation roller assembly (550-sheet feeder)	RM2-5881-000CN	550-sheet paper feeder main body (2 of 2) on page 1587
Shield, RFI SSA FFC (M479)	CF377-00006	M479 covers and control panel, etc. on page 1571
Switch cable assembly (550-sheet feeder)	RM2-7897-000CN	550-sheet paper feeder main body (2 of 2) on page 1587
Switch, cable front door assembly	RM3-7227-000CN	Internal components (1 of 5) on page 1573
Switch, cassette cable assembly	RM2-7896-000CN	Internal components (1 of 5) on page 1573
Wireless bracket (M479fnw/fdw)	CF377-40007	Internal components (2 of 5) on page 1575
Wireless cable (M479fnw/fdw)	CF377-60115	Internal components (2 of 5) on page 1575
Wireless PCA (M454nw/dw)	0960-4025	Internal components (1 of 5) on page 1573
Wireless PCA (M479fnw/fdw)	0960-4025	Internal components (1 of 5) on page 1573

Numerical parts list

Table 2-18 Numerical parts list

Part number	Description	Table and page
0960-3467	Remote antenna (M454nw/dw)	Internal components (2 of 5) on page 1575
0960-4025	Wireless PCA (M454nw/dw)	Internal components (1 of 5) on page 1573
0960-4025	Wireless PCA (M479fnw/fdw)	Internal components (1 of 5) on page 1573
5851-7005	Mute cable	Internal components (5 of 5) on page 1581
B3Q09-40003	Gear, control panel friction (M479)	M479 covers and control panel, etc. on page 1571
B3Q10-40055	Control panel mount chassis 4.3 (M479)	M479 covers and control panel, etc. on page 1571
CF377-00006	Shield, RFI SSA FFC (M479)	M479 covers and control panel, etc. on page 1571
CF377-40004	FFC cover (M479)	M479 covers and control panel, etc. on page 1571
CF377-40005	Fax cover (M479)	M479 covers and control panel, etc. on page 1571
CF377-40006	Fax cable cover (M479)	M479 covers and control panel, etc. on page 1571
CF377-40007	Wireless bracket (M479fnw/fdw)	Internal components (2 of 5) on page 1575
CF377-60105	Cable, fax (M479)	Internal components (2 of 5) on page 1575
CF377-60113	Assembly, control panel mount chassis 4.3 (M479)	M479 covers and control panel, etc. on page 1571
CF377-60115	Wireless cable (M479fnw/fdw)	Internal components (2 of 5) on page 1575
CF388-60116	Cable, FFC (M479)	Internal components (2 of 5) on page 1575
RC4-2201-000CN	Cover, left (550-sheet feeder)	550-sheet paper feeder covers on page 1583
RC4-2202-000CN	Cover, right (550-sheet feeder)	550-sheet paper feeder covers on page 1583
RC4-2203-000CN	Cover, rear (550-sheet feeder)	550-sheet paper feeder covers on page 1583
RC4-2224-000CN	Cover, cassette (550-sheet feeder)	550-sheet paper feeder covers on page 1583
RC4-4854-000CN	Cover, left (M454)	M454 covers and control panels, etc. on page 1569

Table 2-18 Numerical parts list (continued)

Part number	Description	Table and page
RC4-4855-000CN	Cover, rear (simplex models)	M454 covers and control panels, etc. on page 1569
RC4-4855-000CN	Cover, rear (simplex models)	M479 covers and control panel, etc. on page 1571
RC4-5131-000CN	Cover, rear lower (simplex models)	M454 covers and control panels, etc. on page 1569
RC4-5131-000CN	Cover, Rear lower (simplex models)	M479 covers and control panel, etc. on page 1571
RC4-5334-000CN	Cover, cassette	M454 covers and control panels, etc. on page 1569
RC4-5334-000CN	Cover, cassette	M479 covers and control panel, etc. on page 1571
RC4-6044-000CN	Cover, right (M479)	M479 covers and control panel, etc. on page 1571
RC4-6045-000CN	Cover, left (M479)	M479 covers and control panel, etc. on page 1571
RC5-3253-000CN	Plate, name (simplex)	M454 covers and control panels, etc. on page 1569
RC5-3254-000CN	Plate, name (duplex/network)	M454 covers and control panels, etc. on page 1569
RC5-3255-000CN	Plate, name (duplex/wireless)	M454 covers and control panels, etc. on page 1569
RK2-0534-000CN	Front door switch (microswitch)	Internal components (5 of 5) on page 1581
RK2-6270-000CN	Fan (FM2)	Internal components (1 of 5) on page 1573
RK2-6270-000CN	Fan (FM1)	Internal components (2 of 5) on page 1575
RL1-2593-000CN	Roller, paper pickup	Internal components (3 of 5) on page 1577
RM2-1807-000CN	Cartridge tray assembly	Internal components (4 of 5) on page 1579
RM2-1814-000CN	Cover, top assy (duplex network models)	M479 covers and control panel, etc. on page 1571
RM2-1815-000CN	Cover, top assy (duplex wireless models)	M479 covers and control panel, etc. on page 1571
RM2-1819-000CN	Cover, top assy (duplex/wireless)	M454 covers and control panels, etc. on page 1569
RM2-1823-000CN	Front door assy	M454 covers and control panels, etc. on page 1569
RM2-1824-000CN	Front door assy	M479 covers and control panel, etc. on page 1571

Table 2-18 Numerical parts list (continued)

Part number	Description	Table and page
RM2-1825-000CN	Door, rear (simplex models)	M454 covers and control panels, etc. on page 1569
RM2-1825-000CN	Rear door (simplex models)	M479 covers and control panel, etc. on page 1571
RM2-5576-000CN	Roller, paper pickup assembly	Internal components (4 of 5) on page 1579
RM2-5576-000CN	Paper pickup roller assembly (550-sheet feeder)	550-sheet paper feeder main body (2 of 2) on page 1587
RM2-5577-000CN	Roller, feed assembly	Internal components (4 of 5) on page 1579
RM2-5577-000CN	Feed roller assembly (550-sheet feeder)	550-sheet paper feeder main body (2 of 2) on page 1587
RM2-5612-000CN	Laser scanner assy	Internal components (1 of 5) on page 1573
RM2-5881-000CN	Roller, separation	Internal components (4 of 5) on page 1579
RM2-5881-000CN	Separation roller assembly (550-sheet feeder)	550-sheet paper feeder main body (2 of 2) on page 1587
RM2-6366-000CN	Feed guide assembly, rear	Internal components (4 of 5) on page 1579
RM2-6366-000CN	Feed guide assembly, rear (550-sheet feeder)	550-sheet paper feeder main body (2 of 2) on page 1587
RM2-6368-000CN	Feed guide assembly, front	Internal components (4 of 5) on page 1579
RM2-6370-000CN	Lifter drive assembly	Internal components (4 of 5) on page 1579
RM2-6372-000CN	Paper pickup assembly	Internal components (4 of 5) on page 1579
RM2-6373-000CN	Power switch assembly	Internal components (1 of 5) on page 1573
RM2-6374-000CN	Registration assembly	Internal components (4 of 5) on page 1579
RM2-6377-000CN	Cassette (Tray 2) assembly	Internal components (3 of 5) on page 1577
RM2-6383-000CN	Duplex door assembly	M454 covers and control panels, etc. on page 1569
RM2-6383-000CN	Duplexing door assy	M479 covers and control panel, etc. on page 1571
RM2-6387-000CN	Paper pickup assembly (duplex models)	Internal components (5 of 5) on page 1581
RM2-6389-000CN	Reverse drive assembly (duplex models)	Internal components (5 of 5) on page 1581

Table 2-18 Numerical parts list (continued)

Part number	Description	Table and page
RM2-6397-000CN	Secondary transfer assembly (duplex models)	Internal components (5 of 5) on page 1581
RM2-6406-000CN	Pad, separation assembly	Internal components (3 of 5) on page 1577
RM2-6430-000CN	Secondary transfer assembly (simplex models)	Internal components (5 of 5) on page 1581
RM2-6431-000CN	Fuser (simplex; 110-127V)	Internal components (5 of 5) on page 1581
RM2-6433-000CN	Cover, top assembly with control panel (simplex) (M454nw)	M454 covers and control panels, etc. on page 1569
RM2-6436-000CN	Fuser (simplex; 220-240V)	Internal components (5 of 5) on page 1581
RM2-6442-000CN	Cover, top assy (duplex/network)	M454 covers and control panels, etc. on page 1569
RM2-6454-000CN	Intermediate transfer belt (ITB)	Internal components (3 of 5) on page 1577
RM2-6455-000CN	Secondary transfer roller	Internal components (5 of 5) on page 1581
RM2-6460-000CN	Fuser (duplex; 110-127V)	Internal components (5 of 5) on page 1581
RM2-6461-000CN	Fuser (duplex; 220-240V)	Internal components (5 of 5) on page 1581
RM2-6486-000CN	Cassette assembly (550-sheet feeder)	550-sheet paper feeder main body (2 of 2) on page 1587
RM2-6490-000CN	Paper pickup assembly (550-sheet feeder)	550-sheet paper feeder main body (2 of 2) on page 1587
RM2-6492-000CN	Feed guide assembly, front (550-sheet feeder)	550-sheet paper feeder main body (2 of 2) on page 1587
RM2-6493-000CN	Lifter drive assembly (550-sheet feeder)	550-sheet paper feeder main body (2 of 2) on page 1587
RM2-6494-000CN	Paper feed assembly (550-sheet feeder)	550-sheet paper feeder main body (2 of 2) on page 1587
RM2-7236-000CN	Sensor, environment PCA	Internal components (3 of 5) on page 1577
RM2-7342-000CN	Motor, drum (M2)	Internal components (3 of 5) on page 1577
RM2-7344-000CN	Motor, developing (M3)	Internal components (3 of 5) on page 1577
RM2-7349-000CN	Motor, fuser (M4)	Internal components (3 of 5) on page 1577
RM2-7350-000CN	Motor, pickup (M1)	Internal components (4 of 5) on page 1579

Table 2-18 Numerical parts list (continued)

Part number	Description	Table and page
RM2-7350-000CN	Pickup motor (M9) (550-sheet feeder)	550-sheet paper feeder main body (2 of 2) on page 1587
RM2-7366-000CN	Paper feeder driver PCA (550-sheet feeder)	550-sheet paper feeder main body (1 of 2) on page 1585
RM2-7369-000CN	Driver PCA	Internal components (2 of 5) on page 1575
RM2-7399-000CN	Sensor, density detect	Internal components (3 of 5) on page 1577
RM2-7896-000CN	Switch, cassette cable assembly	Internal components (1 of 5) on page 1573
RM2-7897-000CN	Switch cable assembly (550-sheet feeder)	550-sheet paper feeder main body (2 of 2) on page 1587
RM2-8661-000CN	Cable, flexible flat	Internal components (2 of 5) on page 1575
RM2-8662-000CN	Cable, scanner FFC	Internal components (1 of 5) on page 1573
RM2-8663-000CN	Cable, scanner FFC	Internal components (1 of 5) on page 1573
RM3-7227-000CN	Switch, cable front door assembly	Internal components (1 of 5) on page 1573
RM3-7238-000CN	Engine controller PCA (duplex models)	Internal components (1 of 5) on page 1573
RM3-7238-000CN	Engine controller PCA (simplex models)	Internal components (1 of 5) on page 1573
RM3-7241-000CN	Low-voltage power supply (110-127V)	Internal components (2 of 5) on page 1575
RM3-7242-000CN	Low-voltage power supply (220-240V)	Internal components (2 of 5) on page 1575
RM3-7245-000CN	Memory PCA assy	Internal components (1 of 5) on page 1573
RM4-4853-000CN	Cover, right	M454 covers and control panels, etc. on page 1569
RU7-8613-000CN	Label, high temp; Caution (duplex models)	Internal components (5 of 5) on page 1581
VS1-7257-007CN	Connector, drawer (550-sheet feeder)	550-sheet paper feeder main body (1 of 2) on page 1585
VS1-7258-007CN	Connector drawer	Internal components (1 of 5) on page 1573
W1A73-60110	Integrated scanner assembly (M479) (duplex)	Document feeder and scanner (M479) on page 1567
W1A73-60111	Integrated scanner assembly (M479) (simplex)	Document feeder and scanner (M479) on page 1567

Table 2-18 Numerical parts list (continued)

Part number	Description	Table and page
W1A77-67901	Formatter PCA (M479dw)	Internal components (1 of 5) on page 1573
W1A77-67902	Formatter PCA (M79dw-China only)	Internal components (1 of 5) on page 1573
W1A77-67903	Cover, document feeder top (M479) (includes rollers)	Document feeder and scanner (M479) on page 1567
W1A78-67901	Formatter PCA (M479fnw)	Internal components (1 of 5) on page 1573
W1A78-67902	Formatter PCA (M479fnw-China only)	Internal components (1 of 5) on page 1573
W1A78-67906	Fax PCA (M479; US)	Internal components (1 of 5) on page 1573
W1A78-67907	Fax PCA (M479; Europe)	Internal components (1 of 5) on page 1573
W1A78-67908	Fax PCA (M479; Brazil)	Internal components (1 of 5) on page 1573
W1A78-67909	Fax PCA (M479; Philippines/AP)	Internal components (1 of 5) on page 1573
W1A79-67901	Formatter PCA, generic (M479fdn)	Internal components (1 of 5) on page 1573
W1A79-67902	Formatter PCA, generic (M479fdn) China only	Internal components (1 of 5) on page 1573
W1A80-67901	Formatter PCA (M479fdw)	Internal components (1 of 5) on page 1573
W1A80-67902	Formatter PCA (M479fdw-China only)	Internal components (1 of 5) on page 1573
W1Y43-67901	Formatter PCA, (M454nw)	Internal components (1 of 5) on page 1573
W1Y43-67902	Formatter PCA, (M454nw) China only	Internal components (1 of 5) on page 1573
W1Y44-67901	Formatter PCA, (M454dn)	Internal components (1 of 5) on page 1573
W1Y44-67902	Formatter PCA, (M454dn) China only	Internal components (1 of 5) on page 1573
W1Y45-67901	Formatter PCA (M454dw)	Internal components (1 of 5) on page 1573
W1Y45-67902	Formatter PCA (M454dw-China only)	Internal components (1 of 5) on page 1573
W1Y45-67903	Control panel, touchscreen 2.7" (M454dw)	M454 covers and control panels, etc. on page 1569
WG8-5935-000CN	Photointerrupter	Internal components (3 of 5) on page 1577

